

1

2

3

4

5

6

A

B

C

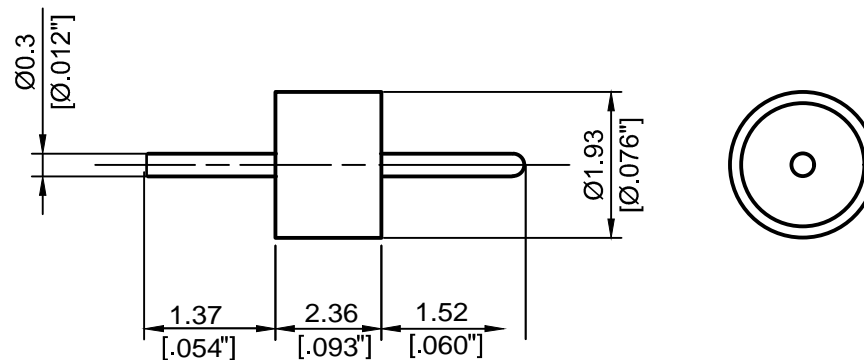
D

A


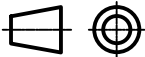
B

C

D



- 1. Pin extensions are  $\pm 0.005''$
- 2. Nominal Impedance:  $50\Omega$
- 3. Frequency Range: DC-46GHz
- 4.  $R1 \leq 1.1013 \times 10^{-3} \text{ Pa} \cdot \text{cm}^3/\text{s He}$
- 5. Temperature range:  $-55 \sim 400^\circ\text{C}$

 <p>ALLWIN TECHNOLOGY</p>		4th Floor, West Unit, Incubation Building 1 Guanghua Lu, Nanjing TEL: 025-84304950 FAX: 025-84304959 WWW: ALLWINTEK.COM		DIRECTION OF VIEW 		UNIT mm		TITLE GLASS BEAD	
		PROPRIETARY INFORMATION: THE INFORMATION WITHIN THIS DRAWING IS PROPRIETARY AND SHALL NOT BE USED OR DISCLOSED WITHOUT PRIOR WRITTEN PERMISSION FROM ALLWIN TECHNOLOGY.		DRAWN Haimin Zhang CHECKED Shaoqin Du APPR. Dong Wu		DWG NO. <b>AL-192430</b>		OUTLINE DRAWING	
UNLESS OTHERWISE SPECIFIED: 1. REMOVE ALL BURRS, BREAK ALL CORNERS, SHARP EDGES 0.05 R MAX 2. LINEARITY TOLERANCES $\pm 0.2$ , ANGLE TOLERANCES $\pm 1^\circ$ 3. DIAMETERS ON CONCORD CENTERS TO BE CONCENTRIC WITHIN 0.1 4. ALL DIMENSIONS ARE AFTER PLATING, SURFACE FINISHED ✓		LTR DESCRIPTION DATE APPR.		DO NOT SCALE DRAWING		SIZE A4 a		SCALE 10:1	
						REV. V2.0		SHEET 1/1	

1

2

5

6