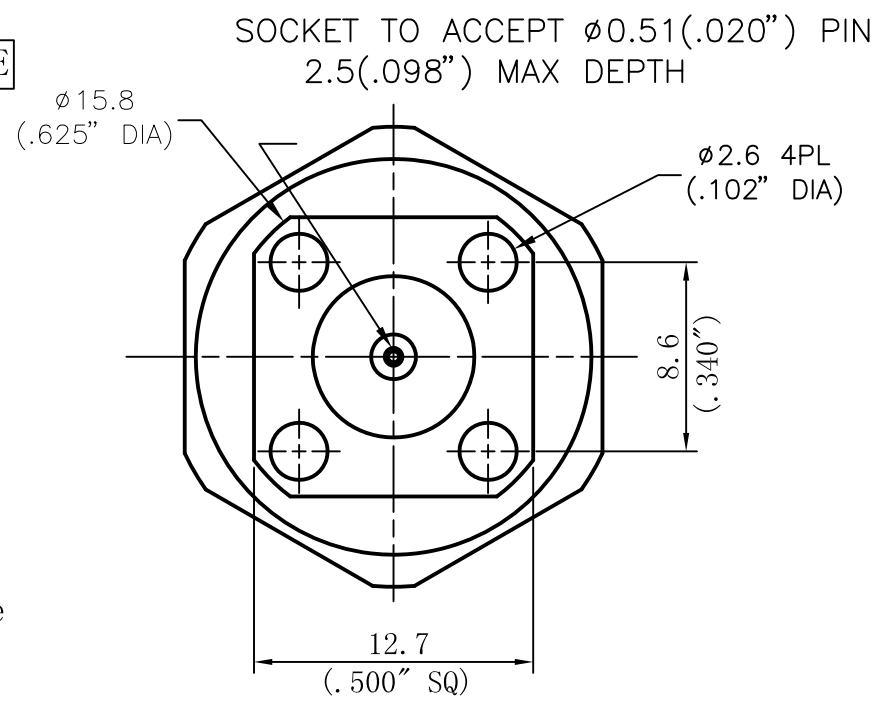
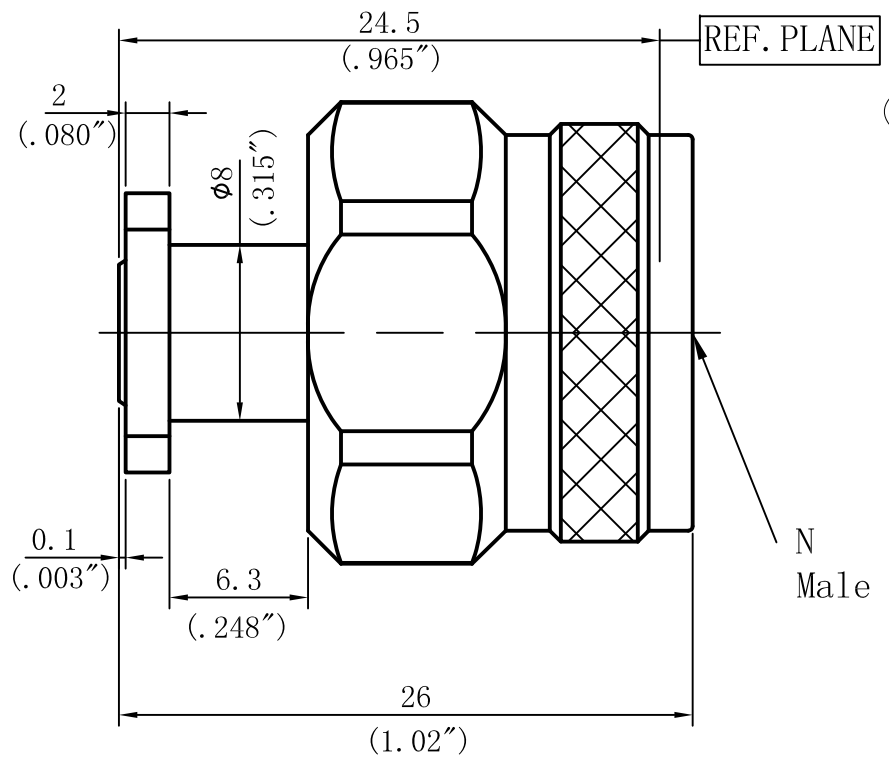


1 2 3 4 5 6

A

B

C



Performance Features:

Nominal Impedance: 50 Ω
 Frequency Range: DC-18GHz
 VSWR: DC-18GHz.... 1.15:1 (Max)

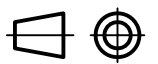
Materials/Finishes:

Housing: SU303F
 Polished & Passivated
 Center Contact: Beryllium Copper
 Gold Plated
 Insulators: PTFE&PEI



4th Floor, West Unit,
 Incubation Building 1
 Guanghua Lu, Nanjing
 TEL:025-84304950
 FAX:025-84304959
 WWW.ALLWINTEK.COM

DIRECTION OF VIEW



UNIT
mm

TITLE
N Connector

PROPRIETARY INFORMATION. THE INFORMATION WITHIN THIS DRAWING IS PROPRIETARY AND SHALL NOT BE USED OR DISCLOSED WITHOUT PRIOR WRITTEN PERMISSION FROM ALLWIN TECHNOLOGY.

DRAWN Weihaio Pan
 CHECKED Shaoqing Du
 APPR. Gang Cao

DWG NO.
D341S20F01

UNLESS OTHERWISE SPECIFIED
 1. REMOVE ALL BEHRS, BREAK ALL CORNERS, SHARP EDGES 0.05 R MAX
 2. LINEARITY TOLERANCES ± 0.1 , ANGLE TOLERANCES $\pm 1^\circ$
 3. DIAMETERS ON COMMON CENTERS TO BE CONCENTRIC WITHIN 0.1
 4. ALL DIMENSIONS ARE AFTER PLATING, SURFACE FINISHED

OUTLINE DRAWING

LTR	DESCRIPTION	DATE	APPR.	DO NOT SCALE DRAWING	SIZE A4_h	SCALE 1:1	REV. V2.0	SHEET 1/1
-----	-------------	------	-------	----------------------	-----------	-----------	-----------	-----------

1 2 3 4 5 6