

1

2

3

4

5

6

A

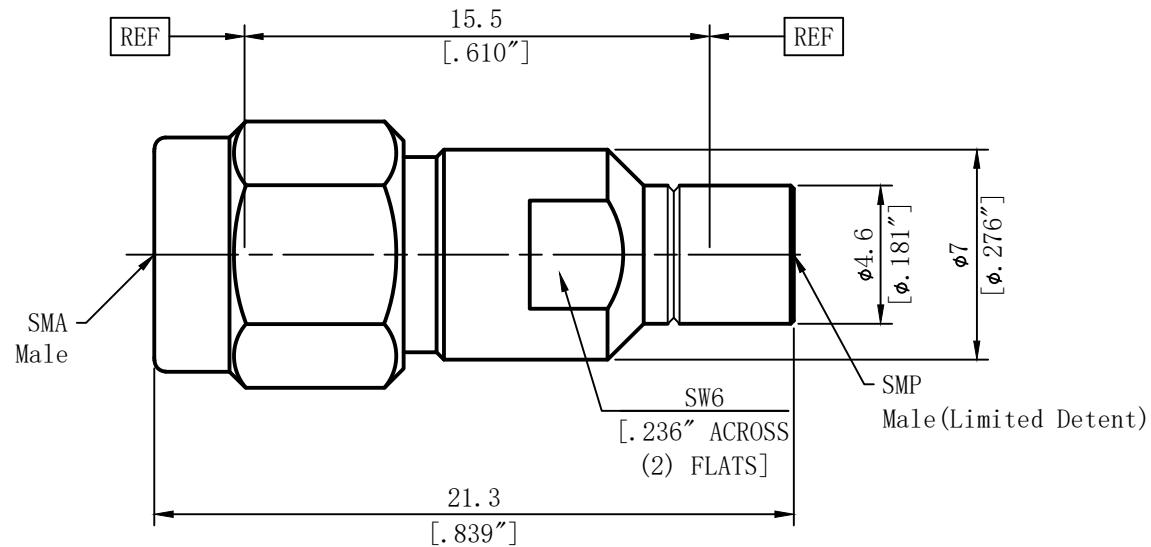
A

B

B

C

C



Performance Features:

Nominal Impedance:50Ω  
 Frequency Range:DC-27GHz  
 VSWR:1.20:1(Max)

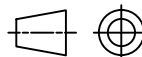
Materials/Finishes:

Housing:Stainless Steel, Passivated  
 Center Contact:Beryllium Copper, Gold Plated  
 Insulators:PTFE&PEI



4th Floor, West Unit,  
 Incubation Building 1  
 Guanghua Lu, Nanjing  
 TEL:025-84304950  
 FAX:025-84304959  
 WWW.ALLWINTEK.COM

DIRECTION OF VIEW



UNIT

mm

TITLE

SMA/SMP-JJ-L Adapter

PROPRIETARY INFORMATION: THE INFORMATION WITHIN THIS DRAWING IS PROPRIETARY AND SHALL NOT BE USED OR DISCLOSED WITHOUT PRIOR WRITTEN PERMISSION FROM ALLWIN TECHNOLOGY.

DRAWN Haimin Zhang  
 CHECKED Shaoqin Du  
 APPR. Dong Wu

DWG NO.

Z556311Z01L

UNLESS OTHERWISE SPECIFIED  
 1. REMOVE ALL BURRS, BREAK ALL CORNERS, SHARP EDGES 0.05 R MAX  
 2. LINEARITY TOLERANCES ±0.2, ANGLE TOLERANCES ±1°  
 3. DIAMETERS ON COMMON CENTERS TO BE CONCENTRIC WITHIN 0.1  
 4. ALL DIMENSIONS ARE AFTER PLATING, SURFACE FINISHED

OUTLINE DRAWING

LTR	DESCRIPTION	DATE	APPR.

DO NOT SCALE DRAWING

SIZE A4 a

SCALE 4:1

REV. V2.0

SHEET1/1

1

2

5

6

D

D