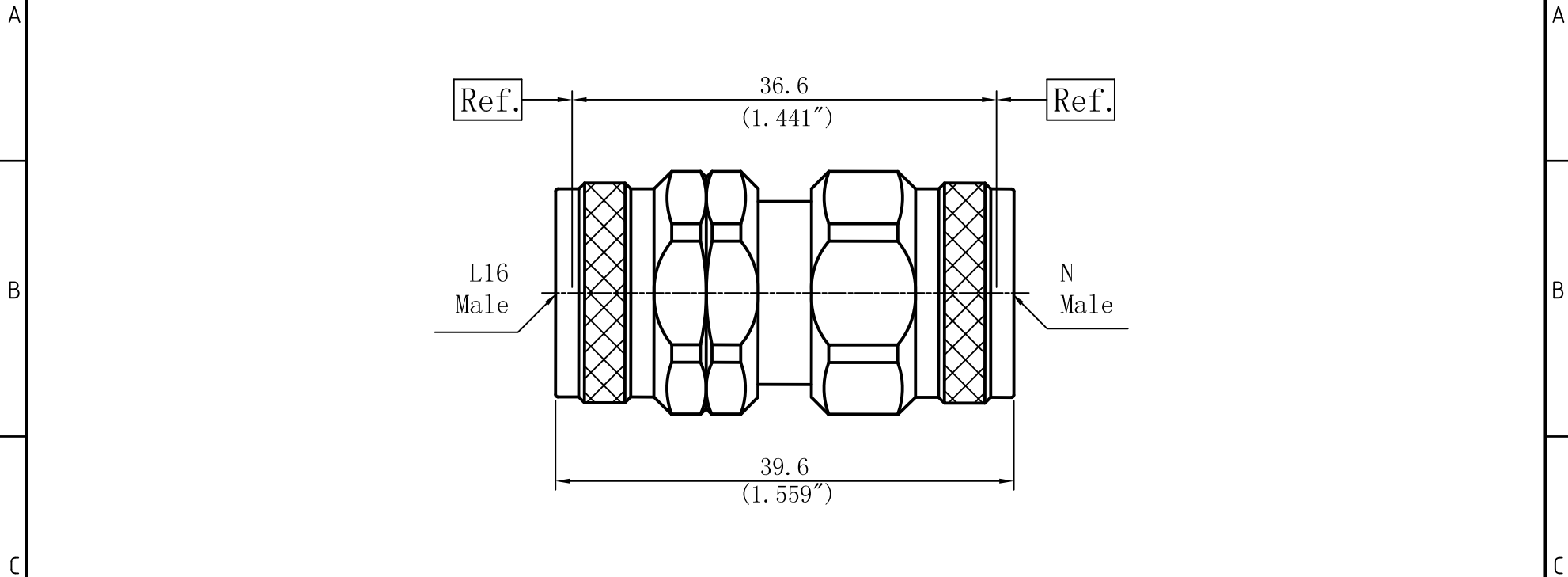


1 2 3 4 5 6



Performance Features:

Nominal Impedance: 50Ω
 Frequency Range: DC-18GHz
 VSWR: DC-18GHz.... 1.15:1 (Max)

Materials/Finishes:

Housing: SU303F
 Polished & Passivated
 Center Contact: Beryllium Copper
 Gold Plated
 Insulators: PEI



4th Floor, West Unit,
 Incubation Building 1
 Guanghua Lu, Nanjing
 TEL:025-84304950
 FAX:025-84304959
 WWW.ALLWINTEK.COM

DIRECTION OF VIEW



UNIT

mm

TITLE

L16-N Adapter

PROPRIETARY INFORMATION. THE INFORMATION WITHIN THIS DRAWING IS PROPRIETARY AND SHALL NOT BE USED OR DISCLOSED WITHOUT PRIOR WRITTEN PERMISSION FROM ALLWIN TECHNOLOGY.

DRAWN Min Zhou
 CHECKED Shaoqing Du
 APPR. Gang Cao

DWG NO.

Z313411Z01

UNLESS OTHERWISE SPECIFIED
 1. REMOVE ALL BURS, BREAK ALL CORNERS, SHARP EDGES 0.05 R MAX
 2. LINEARITY TOLERANCES ±0.1, ANGLE TOLERANCES ±1°
 3. DIAMETERS ON COMMON CENTERS TO BE CONCENTRIC WITHIN 0.1
 4. ALL DIMENSIONS ARE AFTER PLATING, SURFACE FINISHED ✓

OUTLINE DRAWING

LTR	DESCRIPTION	DATE	APPR.	DO NOT SCALE DRAWING	SIZE A4_h	SCALE 4:1	REV. V2.0	SHEET 1/1
-----	-------------	------	-------	----------------------	-----------	-----------	-----------	-----------

1 2 3 4 5 6